



## Key Features

### • Wireless Handset:

Check visitors on Wireless Monitor, respond promptly and talk from living room, kitchen, everywhere home and while you are doing something else. UP to 6 wireless monitor connectable. Max wireless range is 100m with no obstacles. You can add on repeaters expand the range. UP to 2 DECT repeater connectable.

### • Large Touch Panel:

The main monitor has a large, 5 inch wide screen that clearly shows each visitor's face. You can simply touch the screen to activate an approximate 2x zoom horizontally and vertically.

### • Electric Lock Release Support for Gate:

The gate or door lock can be easily and quickly released even from the second floor of the house.

### • Wide-Angle Camera:

Wide-angle lens covers approximately 170 degrees horizontally and 115 degrees vertically.

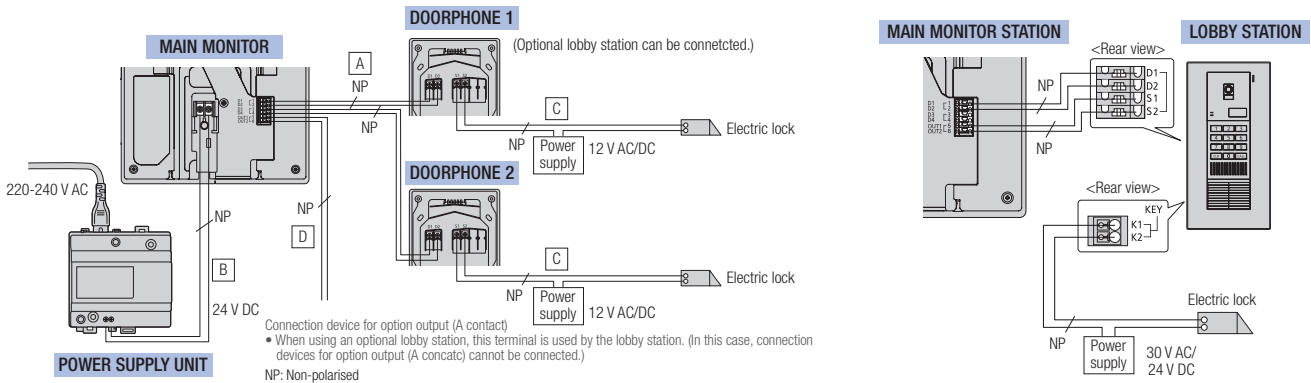
### • SD Card Recording:

Automatically record video images of visitors to SD card. It will record up to 3,000 visitors (30 seconds per visitor). (The SD Memory Card is sold separately.)

### • Wireless Sensor Cameras:

By installing the optional DECT Wireless Sensor Camera, you can use human (heat) and motion sensors to monitor locations that you are concerned about. UP to 4 wireless sensor camera connectable.

## Wiring Schematic Diagram



## Wire type and length

Wiring run		Wire type*1		
		Diameter		Length (Max.)
Main monitor – Doorphone	A	φ 0.65 mm	22 AWG	100 m
		φ 1.0 mm	18 AWG	130 m
		φ 0.5 mm	CAT 5	50 m
Main monitor – Power supply unit	B	φ 0.65 mm	22 AWG	10 m
		φ 1.0 mm	18 AWG	20 m
Doorphone – Electric lock*2	C	φ 0.5 mm - φ 1.2 mm (24 AWG - 17 AWG)		According to specification of connected device.
Main monitor – Connection device for option output (A contact)*2	D	φ 0.5 mm - φ 1.2 mm (24 AWG - 17 AWG)		According to specification of connected device.
Wireless sensor camera – Power supply unit	-	φ 0.65 mm	22 AWG	50 m
		φ 1.0 mm	18 AWG	100 m
Wireless sensor camera – External sensor	-	φ 0.5 mm - φ 0.8mm (24 AWG - 20 AWG)		According to specification of connected device. Must be no longer than 20 m.

- \*1 Type: Single-pair cable with outer sheath (jacket) Conductor: Copper solid
- A certified power supply wiring has to be used with this equipment. The relevant national installation and/or equipment regulations shall be considered. A certified power supply wiring not lighter than ordinary polyvinyl chloride flexible wiring according to IEC 60227 shall be used.
- \*2 When using an electric lock or a connection device for option output (A contact), select a device that meets the following guidelines:
- Electric lock connection terminal (S1/S2):
    - N/O dry closure contact
    - 12 V AC/DC, less than 1 A
  - Connection device for option output (A contact) terminal (OUT1/OUT2):
    - 24 V AC/DC, less than 0.3 A (minimum contact: 5 V DC 1 mA)

## Accessory Information

**For the Sub Monitor:** AC adaptor × 2 (PNLV226BX [2 pin AC plug] / PNLV226E [3 pin AC plug]), Rechargeable batteries × 2, Charger × 1

**For the Door Station:** <VL-V554BX> Mounting base × 1 & screw (3.8 mm × 20 mm) × 2, Screw (4 mm × 12 mm) × 4, Name plate × 2, Hex wrench × 1  
 <VL-V554UBX> Flush mounting box × 1, Screw (4 mm × 25 mm) × 4, Name plate × 2, Hex wrench × 1

**For the Main Monitor Station:** Power supply unit\* (VL-PS241) × 1, Mounting bracket × 1, Cable binder × 1, Screw (4 mm × 16 mm) × 2

\*Including AC cable × 2, Cable binder × 1, Screw (4 mm × 40 mm) × 2

## Optional Accessories

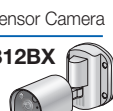
Door Station (Doophone)  
**VL-V554BX**  
**VL-V554UBX**



Wireless Monitor Station (Sub monitor)  
**VL-WD613BX**



Wireless Sensor Camera  
**VL-WD812BX**



DECT Repeater  
**VL-FKD2BX**



Lobby Station  
**VL-V590BX**  
**VL-V590CX**



Up to 20 Main monitors connectable

## Relative Product

Main Monitor Station (Main monitor)  
**VL-MWD501BX**



# Model Composition

VL-SWD501BX	VL-MWD501BX x 1, VL-WD613BX x 1, VL-V554BX x 1
VL-SWD501UBX	VL-MWD501BX x 1, VL-WD613BX x 1, VL-V554UBX x 1

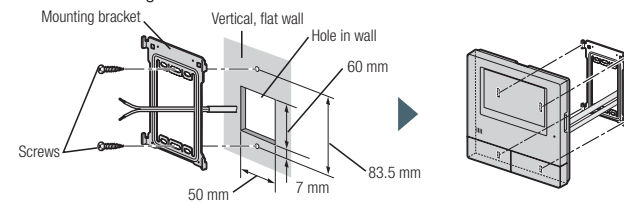
## Specifications

Model number and name	VL-MWD501BX	VL-V554BX (Surface mount) VL-V554UBX (Flush mount)	VL-WD613BX		VL-PS241
	Main Monitor Station (Main monitor)	Door Station (Doorphone)	Main body	Charger	Power Supply Unit (part)
Dimensions					
Power source	Power supply unit (VL-PS241) 24 V DC, 0.5 A	Power supplied by the main monitor 20 V DC, 0.23 A	Rechargeable Ni-MH (AAA x 2)	AC adaptor (PNLV226BX/PNLV226E) Input: 220-240 V AC, 0.1 A, 50/60 Hz Output: 5.5 V DC, 0.5 A	Input: 220-240 V AC, 0.2 A, 50/60 Hz Output: 24 V DC, 0.6 A
Power consumption	Standby: Approx. 1.4 W During operation: Approx. 10 W	-	-	Standby: Approx. 0.4 W (when the sub monitor is not placed in the charger) During charging: Approx. 1.4 W	-
Dimensions (H x W x D) (Excluding protruding sections)	180 x 165 x 21 mm	VL-V554BX: 169 x 118 x 30 mm VL-V554UBX: 169 x 118 x 16.5 mm (excluding sections embedded into the wall)	173 x 52 x 30 mm	43 x 81 x 76 mm	104 x 100 x 54 mm
Weight	470 g	VL-V554BX: 405 g, VL-V554UBX: 345 g	160 g (including the batteries)	70 g (excluding the AC adaptor)	215 g
Operating environment	0 °C to 40 °C, Up to 90 % RH (Relative Humidity) non condensing	-10 °C to 50 °C, Up to 90 % RH (Relative Humidity) non condensing	0 °C to 40 °C, Up to 90 % RH (Relative Humidity) non condensing	0 °C to 40 °C, Up to 90 % RH (Relative Humidity) non condensing	0 °C to 40 °C, Up to 90 % RH (Relative Humidity) non condensing
Display	Approx. 5 inch, wide colour display	-	Approx. 2.2 inch, colour display	-	-
Frequency	1.88 GHz to 1.90 GHz	-	1.88 GHz to 1.90 GHz	-	-
Option output (A contact)	Rated load: 24 V AC/DC, 0.3 A or lower Minimum applicable load: 5 V DC, 0.001 A (Output when there is a call from the doorphone)	-	-	-	-
Viewing angle	-	Horizontally: Approx. 170° Vertically: Approx. 115°	-	-	-
Installation method	Wall mount (mounting bracket supplied)	VL-V554BX: surface mount (mounting base supplied) VL-V554UBX: flush mount (flush mounting box supplied)	-	-	-
IP rating / IK rating	-	IP54*3 / Compliant with IK07	-	-	-
External material	Flame retardant ABS and PS resin	Aluminium and flame retardant PC+PS resin	ABS resin	ABS resin	Flame retardant PC+ABS resin

Model number and name	VL-WD812BX	VL-FKD2BX
	Wireless Sensor Camera	DECT Repeater
Dimensions		
Power source	Power supply unit (VL-PS241) 24 V DC, 0.4 A	AC adaptor (PQLV219BX/PQLV219E) Input: 220-240 V AC, 0.1 A, 50/60 Hz Output: 6.5 V DC, 0.5 A
Power consumption	During standby: Approx. 1.5 W During operation: Approx. 4.5 W (when the LED lights are not lit), Approx. 8 W (when the LED lights are lit)	During standby: Approx. 1.5 W During operation: Approx. 2.3 W (when transmitting)
Dimensions (H x W x D)	160 x 118 x 290 mm (when the camera is front facing and including the wall mount bracket)	82 x 111 x 39 mm
Weight	960 g	88 g (excluding the AC adaptor)
Operating environment	-20 °C to 50 °C, Up to 90 % RH (Relative Humidity) non condensing	0 °C to 40 °C Up to 90 % RH (Relative Humidity) non condensing
Frequency	1.88 GHz to 1.90 GHz	1.88 GHz to 1.90 GHz
Installation method	Wall mount (wall mount bracket supplied)	-
Transmitting range	Approx. 100 m (line-of-sight distance from the main monitor)	Approx. 100 m (line-of-sight distance from the main monitor)
Minimum illuminance required	1 lx*1	-
Image sensor	0.3 M pixel CMOS	-
Lighting method	2 white LED lights*2	-
Angular field of view (camera angle)	Horizontal: Approx. 53° Vertical: Approx. 41°	-
Sensor detection range	• Heat sensor (when the surrounding temperature is approx. 20°) Horizontal: Approx. 63°, vertical: Approx. 20°, detection range: Approx. 5 m • Motion detection sensor Horizontal: Approx. 53°, vertical: Approx. 41°	-
Sensor detection method	Pyroelectric infrared sensor (heat sensor) and motion detection	-
IP rating	IP54*3	-
Adjustable mounting angles	Horizontal: ±90°, vertical: facing forward - facing down approx. 60° (adjustable when mounting)	-
Heat sensor adjustable angles	Manually adjustable to 2 angles	-
External material	PC+ABS resin	PS resin

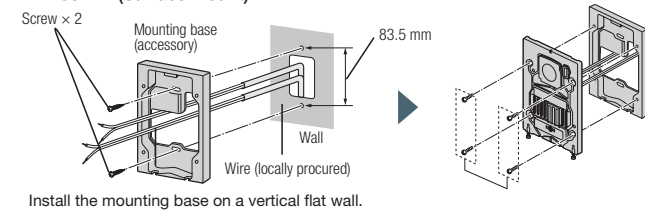
## Installing the Main Monitor

Attach the mounting bracket to the wall securely.  
Install the mounting bracket on a vertical flat wall.



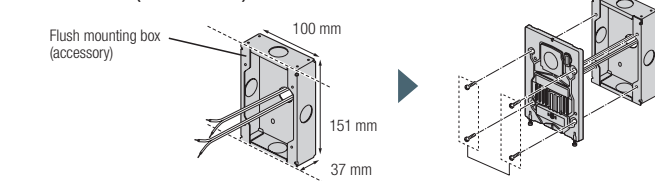
## Installing the Doorphone

### • VL-V554BX (Surface mount)

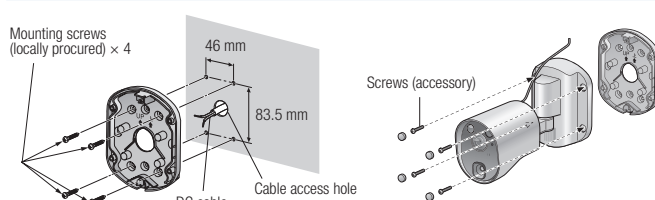


Install the mounting base on a vertical flat wall.

### • VL-V554UBX (Flush mount)



## Installing the Wireless Camera



\*1 The minimum illuminance required when the camera's [Brightness] setting is set to [+3].  
\*2 Approx. 8.5 lx when 3 m in front of the camera, and approx. 4 lx when 3 m away and 20° to the left or right of the camera.  
\*3 Water resistance is only assured if the camera is installed correctly according to the instructions in the Installation Guide, and appropriate water protection measures are taken. Do not install the camera in areas directly exposed to water or rain.

### Important

- Safety Precaution: carefully read the operating instructions and installation manual before using this product.

- The actual product may vary slightly from photograph.
- Weights and dimensions are approximate.
- Design and Specifications are subject to change without notice.
- These products may be subject to export control regulations.