

# METALBOX



electro-colli.be

Solera<sup>®</sup>



**Flush mounting distribution board in thermoplastic material from 14 to 56 modules with metal door. In matt white.**

Flush mounting distribution board, from 1 to 4 rows and 14 to 56 modules. Made of thermoplastic material with metallic door. Matt white color RAL 9003.

- Complies with directive 2006/95/CE.
- Complies with directive 2011/65/UE (RoHS).
- In accordance with EN 61 439-1, EN 61 439-3 & EN 62 208.
- Rated voltage 230 / 400 V. Maximum total load 63 A.

- IP30 (door closed). IK07.
- Class II.
- GWT 650 °C / For hollow walls 850 °C.
- RAL 9003 matt.

**4 Rows**  
56 modules  
(48 + 8)



**1 Row**  
14 modules  
(12 + 2)

**2 Rows**  
28 modules  
(24 + 4)

**3 Rows**  
42 modules  
(36 + 6)

**Réf. MPB-1E-14**

**Réf. MPB-2E-24**

**Réf. MPB-3E-42**

**Réf. MPB-4E-56**

**- Accessories included -**

**- Accessories not included -**

Brackets for wall fixing.

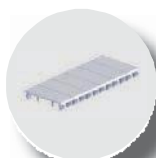
Blind cover.

Protection against plaster.

Key lock kit with 2 metal keys.



**Réf. SOR-MP28/4**



**Réf. TA 1300 B03**



**Réf. CART-MPXX**



**Réf. CER-MP28**

Clamping support for hollow walls.

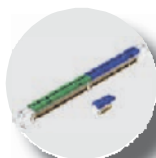
PE & N terminals  
(see table last page).

Instructions for use.

Link up kit.



**Réf. G-MP28/4**



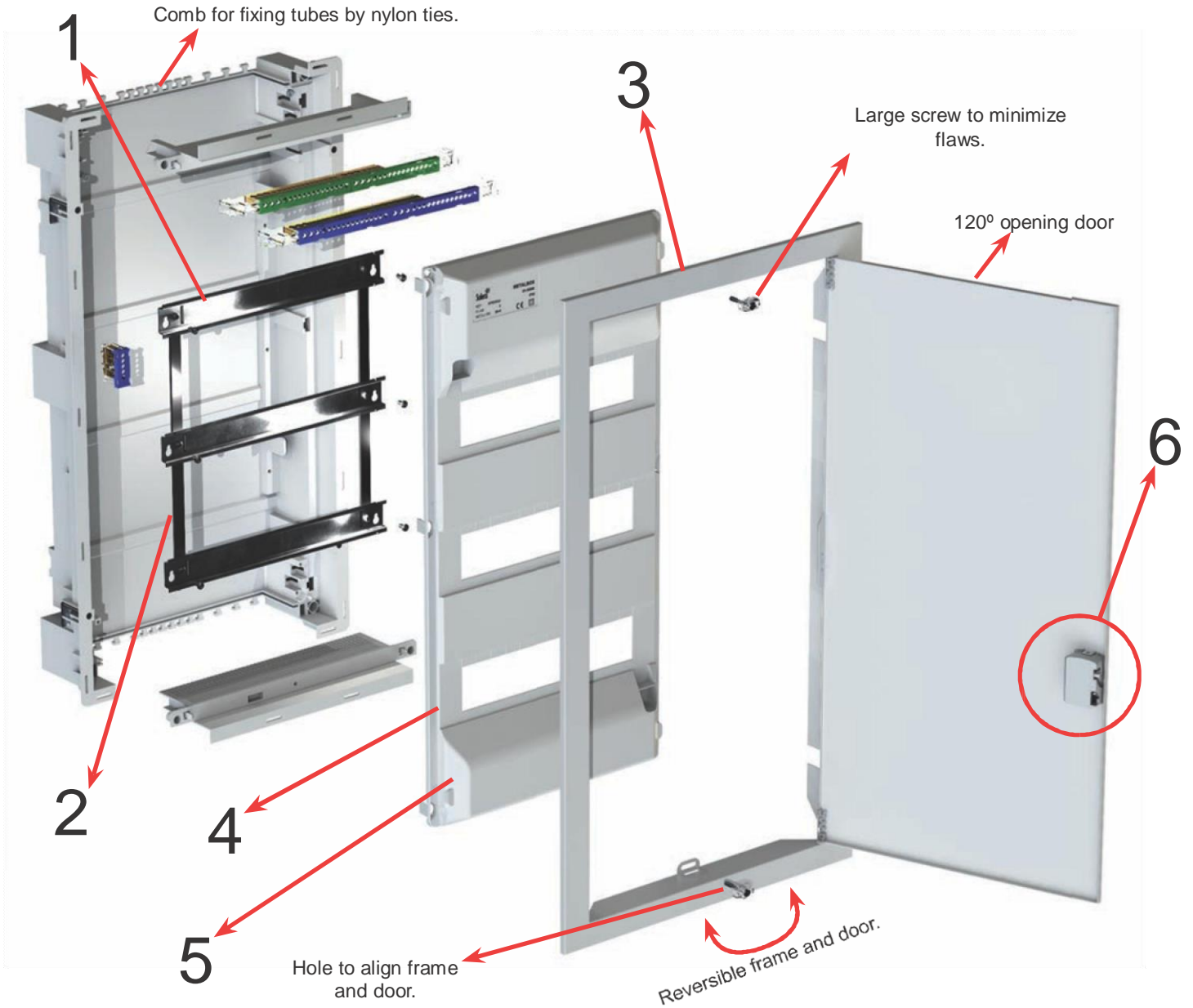
**Réf. 113 PE/N, Ref. 105 N**



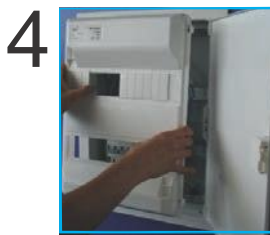
**Réf. IMLC-METALBOX**



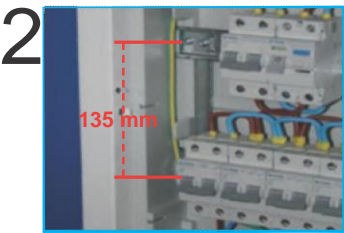
**Réf. U-MP28/2**



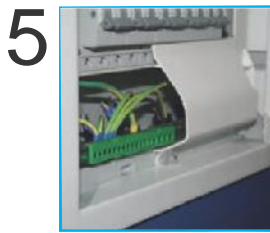
**1 Extractable frame.**  
Facilitate your installation. Save time and prevent theft.



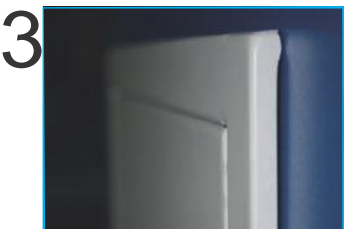
**4 Removable front cover.**  
Get a quick access to your protection devices; easily remove the front cover without removing frame and door.



**2 135 mm between DIN rails.**  
Large space between DIN rails allows faster, safer and more comfortable installations.



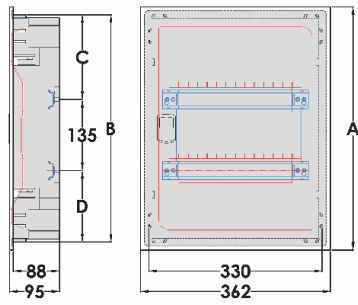
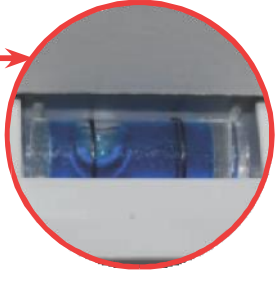
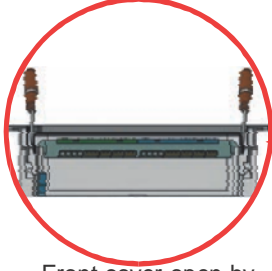
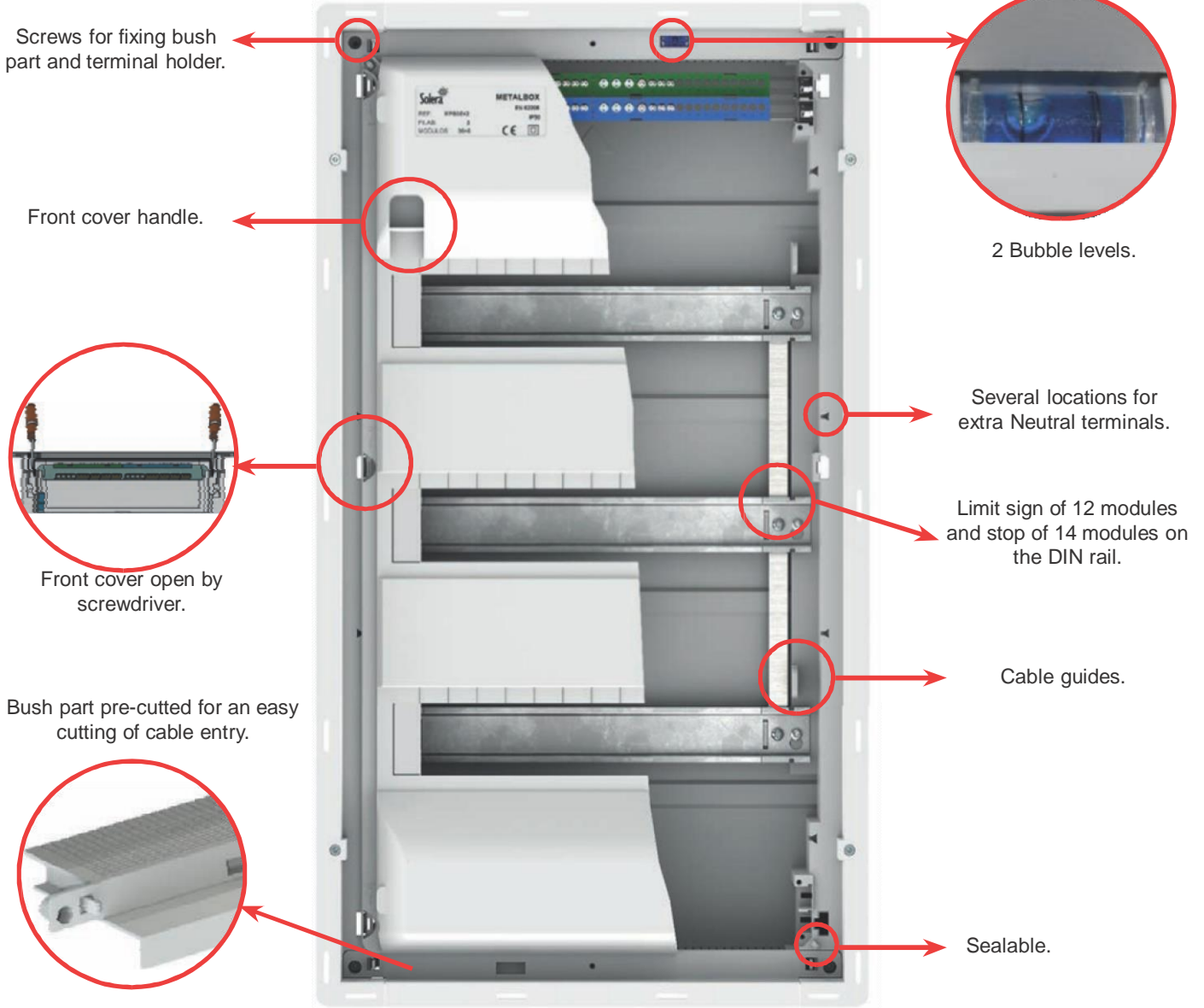
**5 Large space for connection terminals.**  
The design of the front cover gives more space for the connection of cable and terminals.



**3 Extra flat frame: 7 mm.**  
The 7 mm frame height provides an elegant and discrete design that match at any location.



**6 Lock system.**  
Retractable locking system; allows an easy installation of metal keys.



Ref.	Rows	Modules	Dimensions			
			A	B	C	D
MP - 14	1	14	327	297	161	136
MP - 28	2	28	462	432	161	136
MP - 42	3	42	643	613	184	159
MP - 56	4	56	778	748	184	159

Ref.	Ref. Hollow Walls	Rows	Modules	Power losses (W)	Terminals	Weight (Kgs)	Pack / Carton
MP - 14	MP - 14 H	1	14	30 W	PE 4x16 mm <sup>2</sup> + 13x6 mm <sup>2</sup> +	2,0	1 / 6
MP - 28	MP - 28 H	2	28	33 W	PE 6x16 mm <sup>2</sup> + 18x6 mm <sup>2</sup> +	2,9	1 / 6
MP - 42	MP - 42 H	3	42	35 W	PE 6x16 mm <sup>2</sup> + 18x6 mm <sup>2</sup> +	4,0	1 / 3
MP - 56	MP - 56 H	4	56	40 W	PE 6x16 mm <sup>2</sup> + 28x6 mm <sup>2</sup> +	4,8	1 / 3

